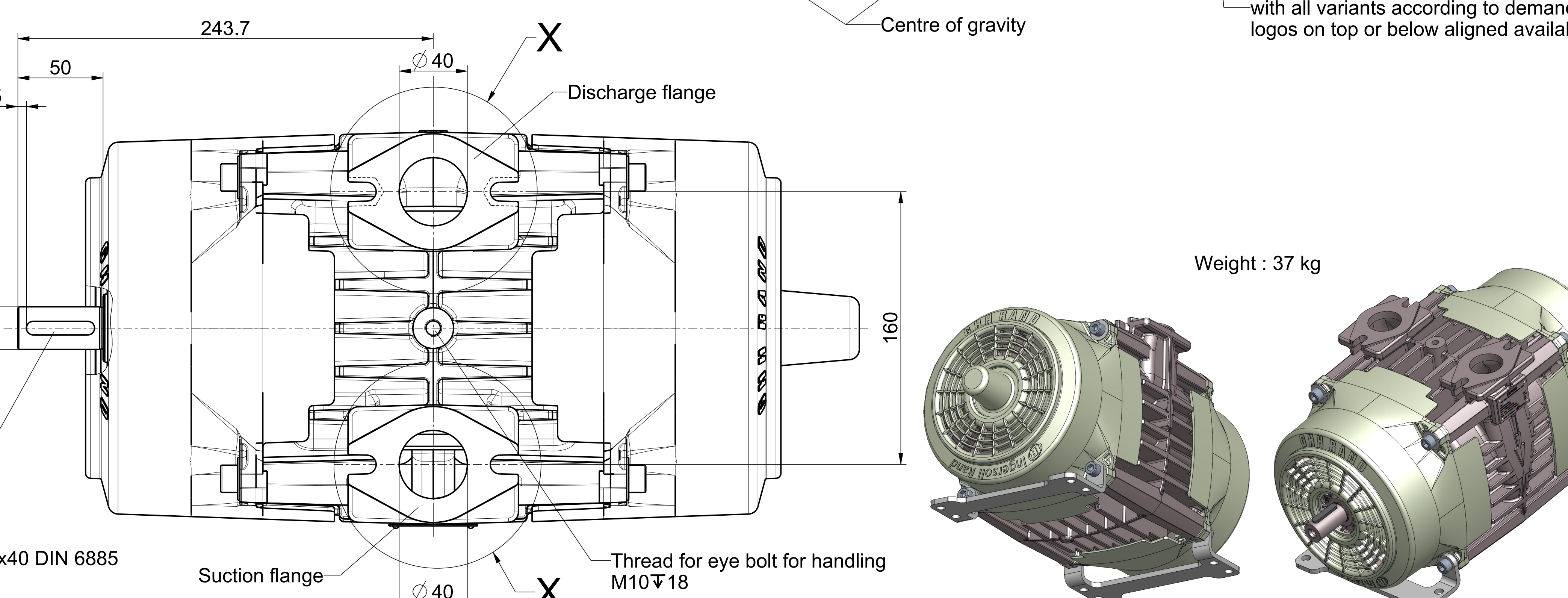
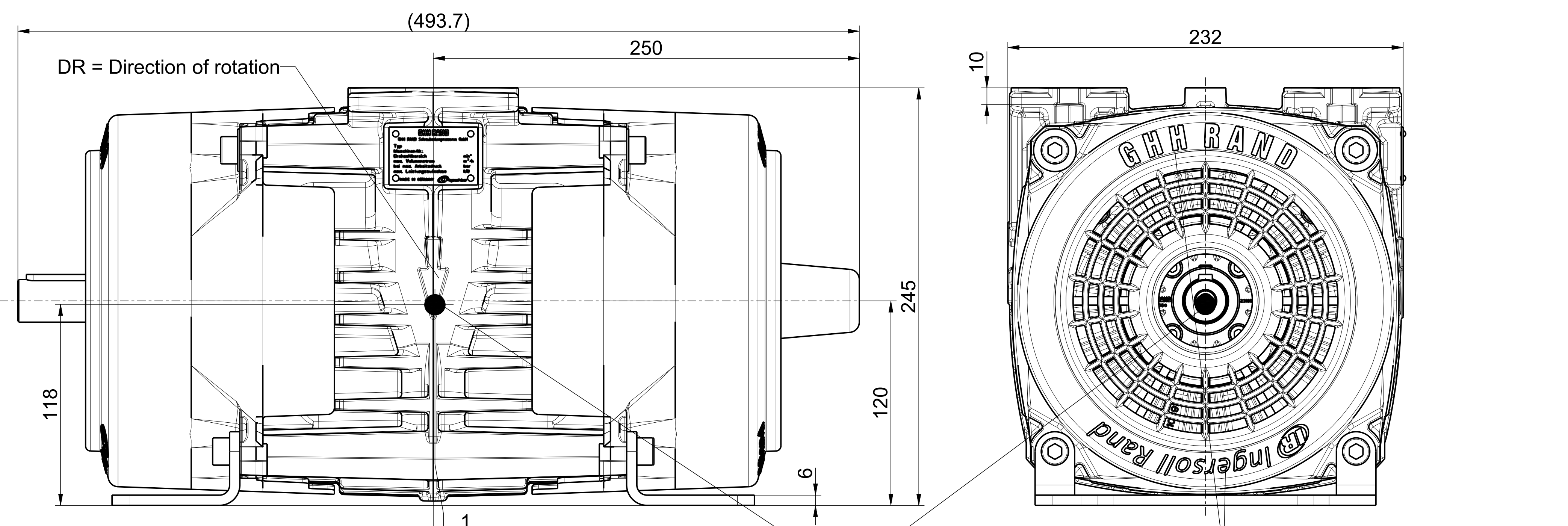
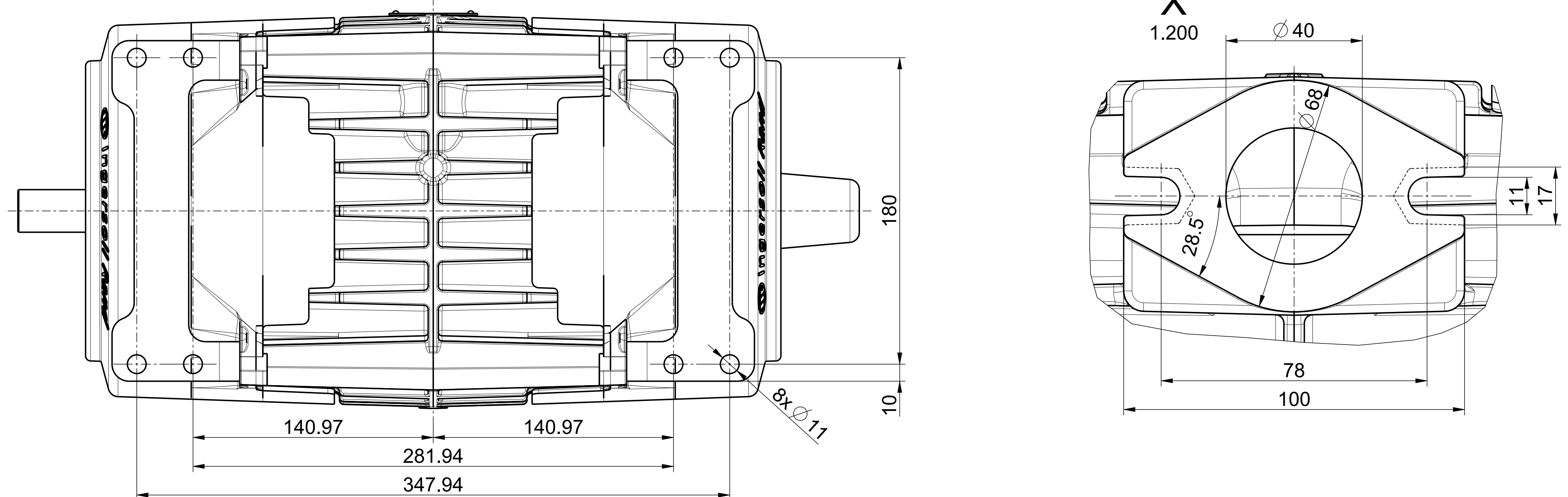
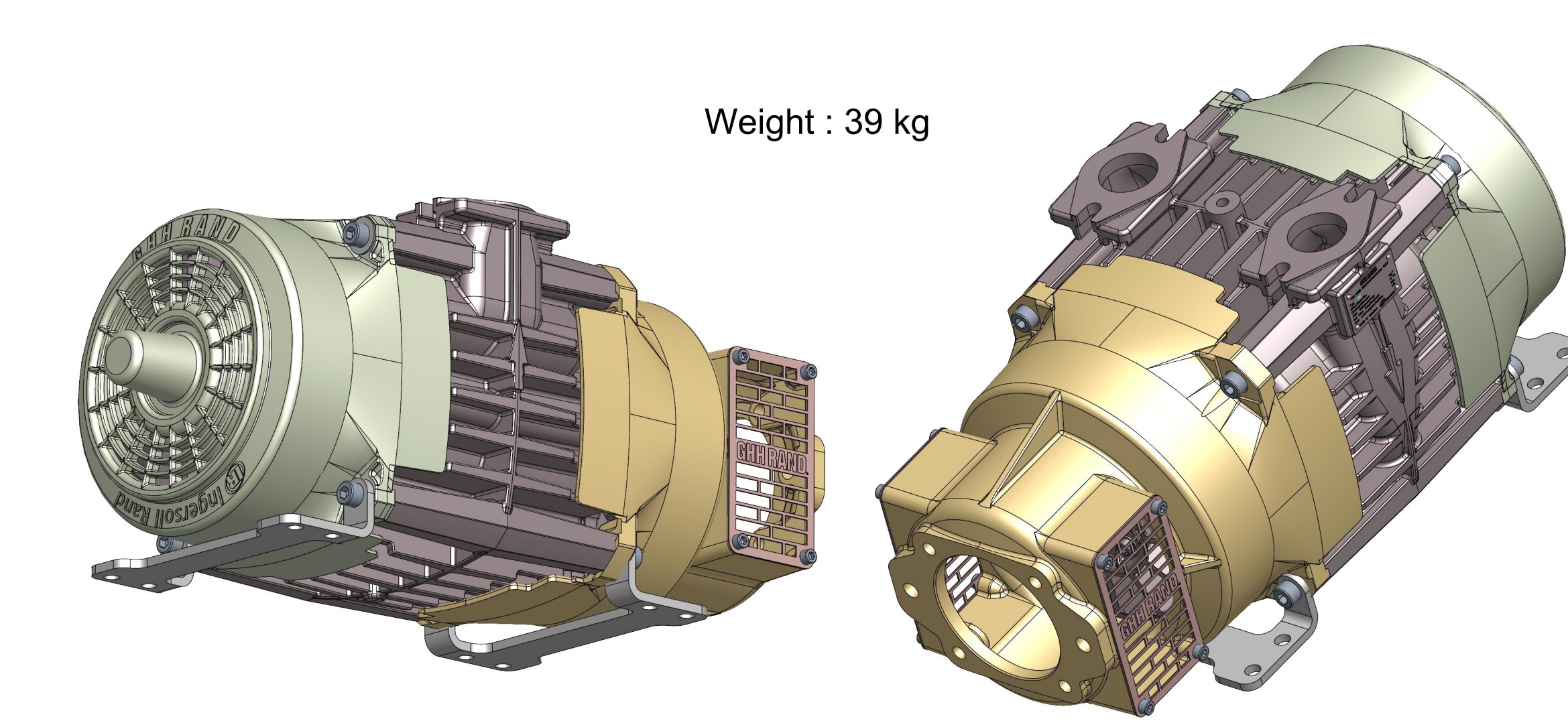
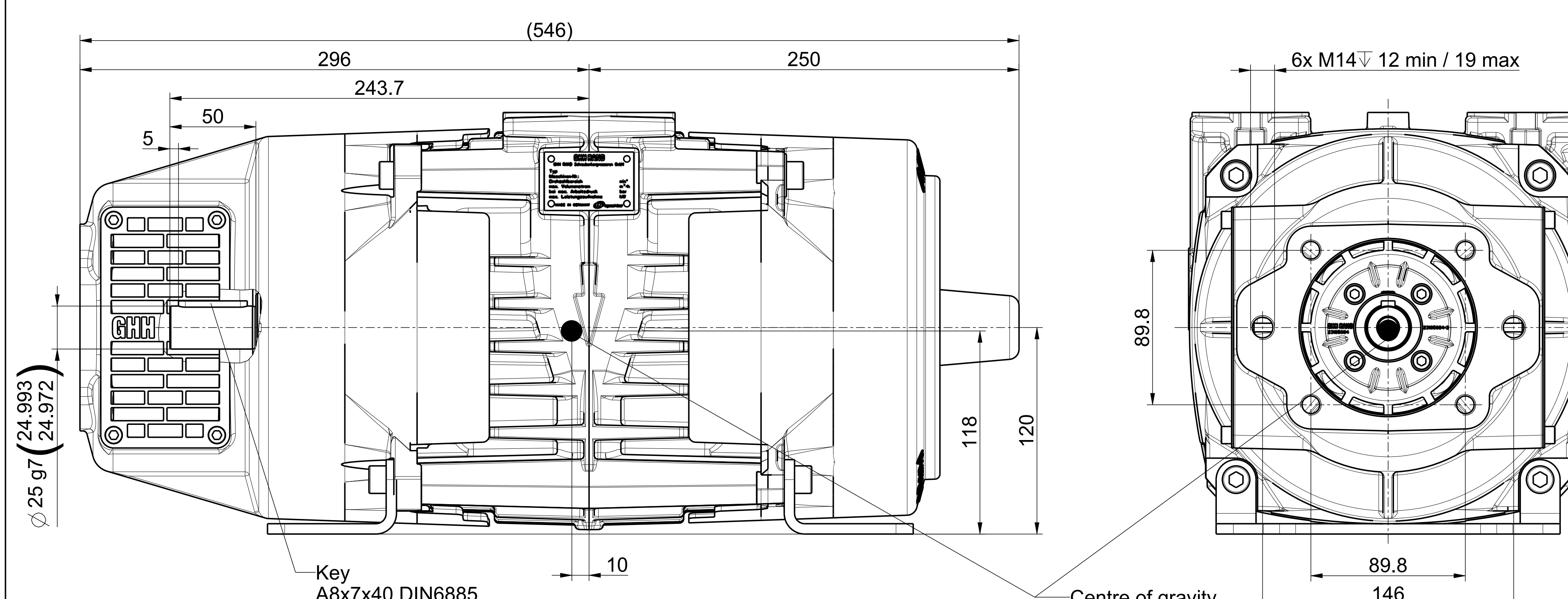


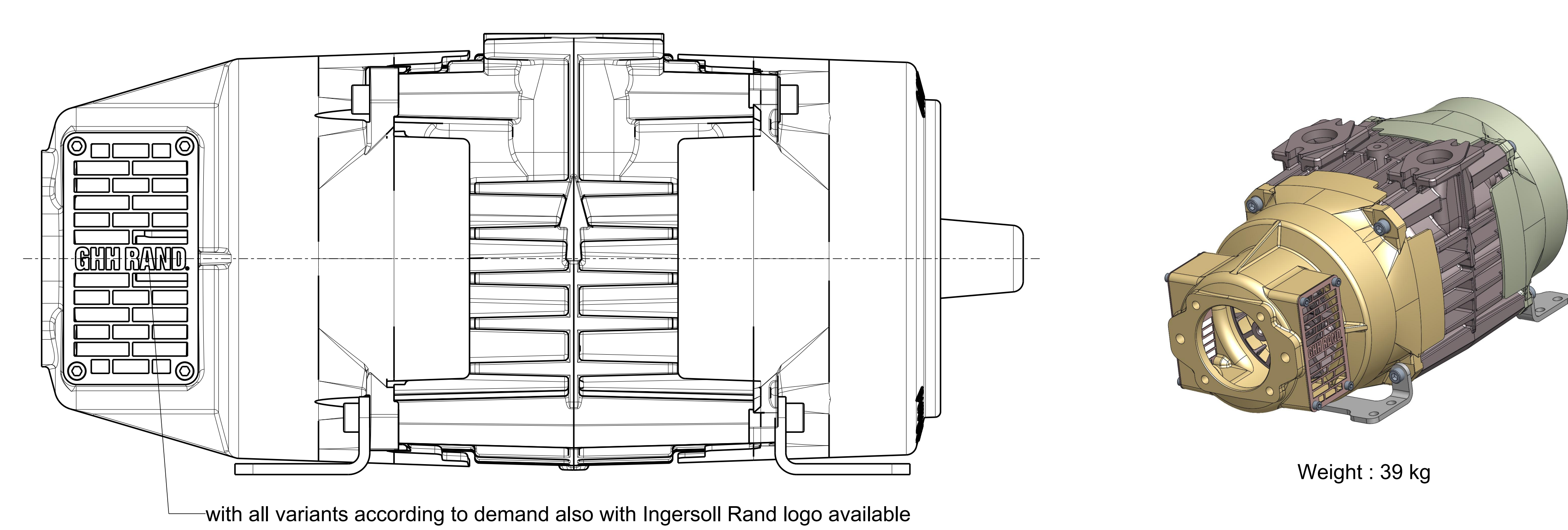
Standard configuration: direct drive; clockwise (viewed on the airend driveshaft)



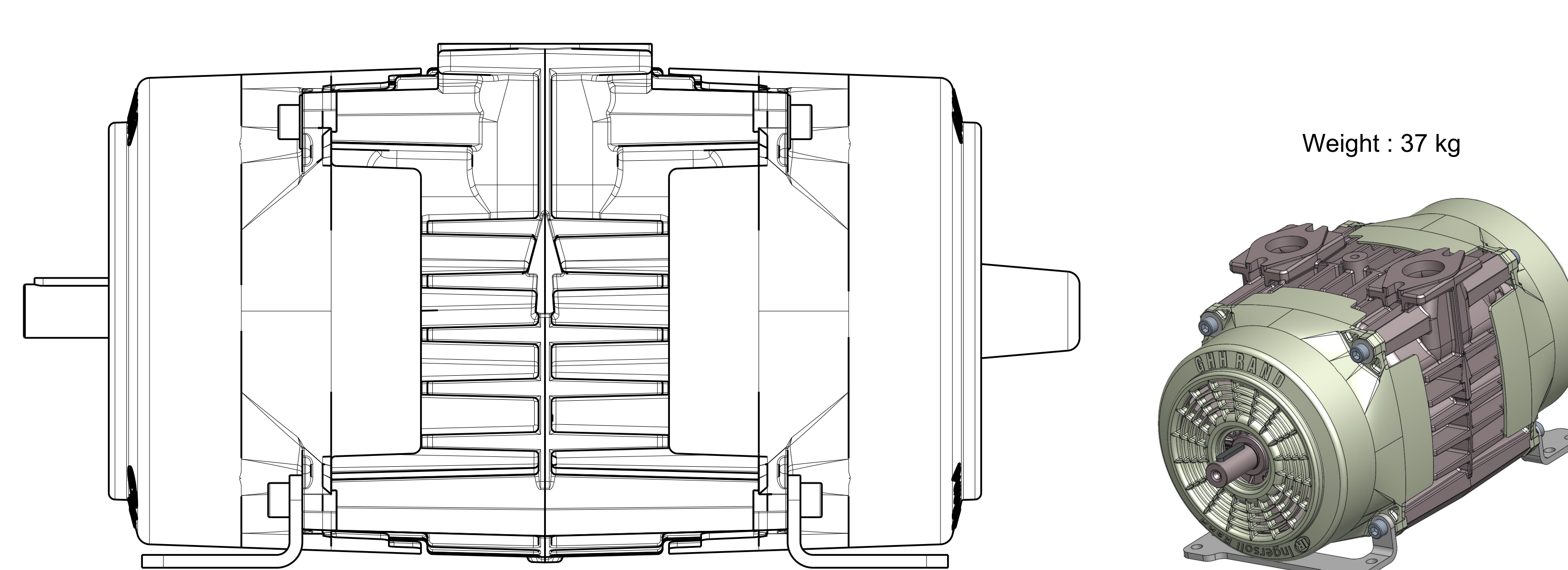
Variant: Hydraulic drive; clockwise (viewed on the airend driveshaft)



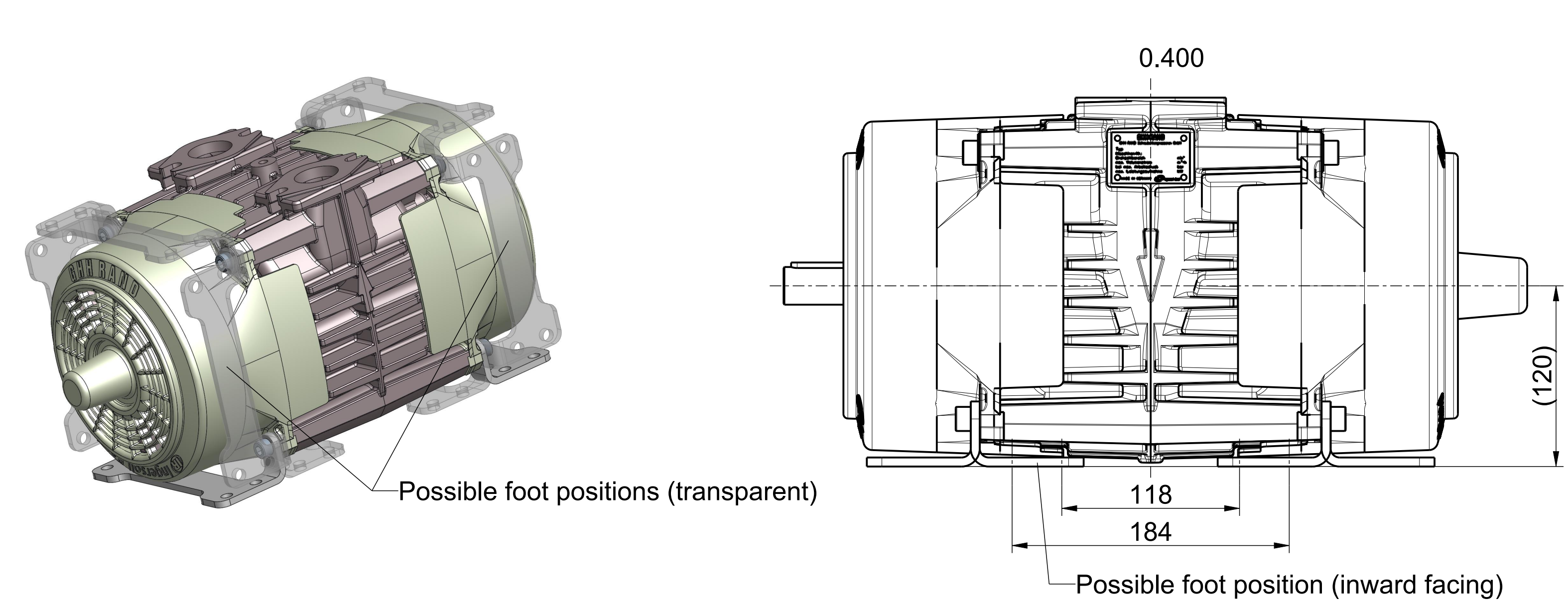
Variant: Hydraulic drive; counterclockwise (viewed on the airend driveshaft)



Variant: direct drive; counterclockwise (viewed on the airend driveshaft)



Alternative changing for foot arrangement (for all variants)



C-18-017 E24 1436549	B	Drawing revision: German texts removed.	19.03.2019	Thamm / Kistner	
Change Ref.	Rev.	Qty.	Description of change	Date	Created / Checked
CAD drawing	DIN AD		Material	(cont. Rev.)	
			Pattern No.	(cont. Rev.)	
			Type	SV120/200	Weight (kg) see variants Scale 0.600
			Installation drawing Sliding Vane compressor		
Technical CCN			Drawing No.	Revision	Sheet
2019	Day	Name	23249162	23249162	1
Created	18.03.	Thamm			of
Checked	19.03.	Kistner			1
Made from			23249162 A		

The reproduction, distribution and utilization of this drawing as well as the communication of its contents to others without explicit authorization is prohibited. Offenders will be held liable for the payment of damages. All rights reserved in the event of a patent, utility model or design.